

# HP 703

High Purity - Chrome Plated Brass Regulator



Model HP 703-125-000-D shown

Model HP 703 is a chrome plated brass single stage pipeline regulator with a stainless steel diaphragm for general laboratory use. The HP 703 is suitable for:

- Non-corrosive gases
- Purging
- Pressure testing
- Blanketing

**Recommended for gas purity up to Grade 5.0 (99.999).**

## FEATURES

- 2 1/8" 302 stainless steel diaphragm eliminates contamination from diffusion or outgassing
- One-piece encapsulated seat design to protect seat from particulate contamination
- Chrome plated bonnet, body and fittings
- 2" chrome plated dual scale gauge (psi/bar)
- External relief valve standard
- Designed to  $1 \times 10^{-8}$  cc/sec. inboard helium leak rate to maintain gas purity levels
- Max inlet 3000 PSIG

## RELATED OPTIONS

Wall mounting bracket P/N: 9101242



## MATERIALS

<b>Body</b>	Chrome Plated Brass
<b>Bonnet</b>	Chrome Plated Die Cast
<b>Diaphragm</b>	302 Stainless Steel
<b>Nozzle</b>	Brass
<b>Seat</b>	PTFE Teflon
<b>Seals</b>	PTFE Teflon
<b>Filter</b>	Nickel-Plated Sintered Bronze - 10 Micron
<b>Seat Return Spring</b>	PH-17 Stainless Steel
<b>Adjusting Knob</b>	ABS Plastic

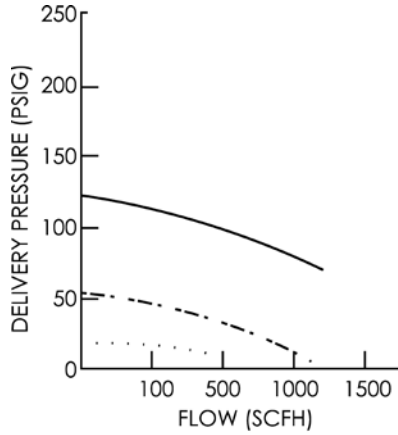
## HP 703 ORDERING INFORMATION

MODEL NO.	DELIVERY PRESSURE		INLET FITTING	ACCESSORIES	OPTIONS
	DELIVERY	(OUTLET GAUGE)			
HP 703	0-15 PSIG	(30" Hg Vac-30 psi/2 bar)	000 (1/4" FNPT)	A) 1/4" MNPT Needle Valve	1) Without Relief Valve
	0-50 PSIG	(30" Hg Vac-100 psi/7 bar)	001 (1/4" MNPT)	B) 1/4" FNPT Diaph. Valve	2) No Gauge
	0-125 PSIG	(30" Hg Vac-200 psi/14 bar)		C) 1/4" MNPT Nipple	
	0-250 PSIG	(400 psi/28 bar)		D) 1/4" FNPT Port	
				E) 1/4" Tube Fitting	
				F) 1/8" Tube Fitting	
				G) 1/4" MNPT Hose Barb	
				H) 1/8" MNPT Hose Barb	
				I) 1/4" FNPT Hose Barb	
				J) 1/4" FNPT Needle Valve	

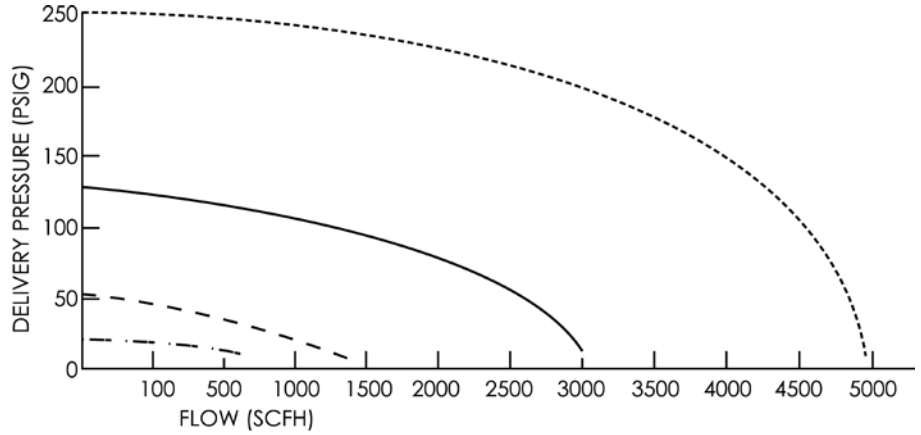
NOTE: Regulators with delivery pressure above 15 PSIG should not be used with acetylene.

# HP 703 TECHNICAL SPECIFICATIONS

## FLOW DATA



15 @ 200 PSIG INLET .....  
 50 @ 200 PSIG INLET - - - -  
 125 @ 200 PSIG INLET \_\_\_\_\_

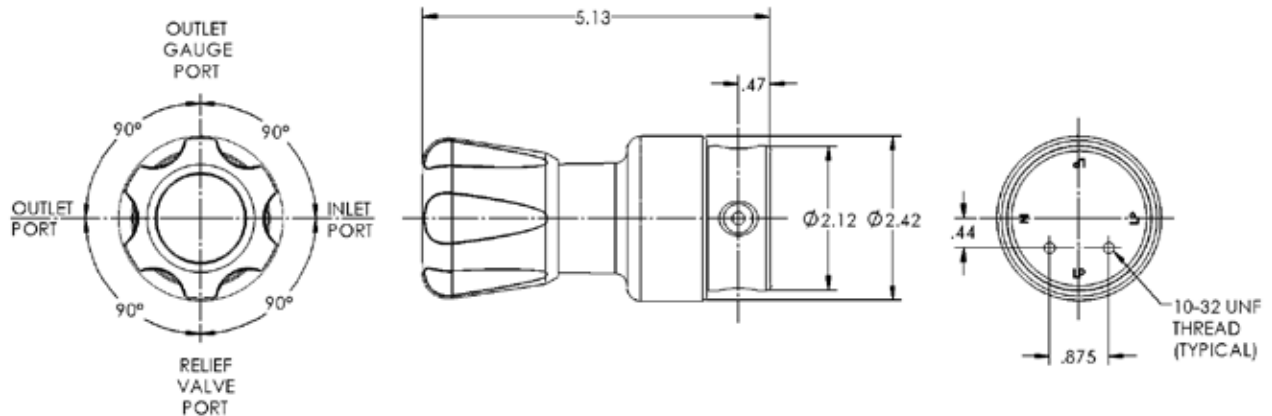


15 @ 2000 PSIG INLET .....  
 50 @ 2000 PSIG INLET - - - -  
 125 @ 2000 PSIG INLET \_\_\_\_\_  
 250 @ 2000 PSIG INLET - . . . .

## SPECIFICATIONS

- $C_v$ : .17
- Pressure Regulation: 1.8 PSIG/100 PSIG
- Weight: 2.92 lbs.

## DIMENSIONS



THE HARRIS PRODUCTS GROUP  
 Orders: 1.800.733.4043



บริษัท ไทย เอ็นจิเนียริ่ง แก๊ส จำกัด  
 Thai Engineering Gas Co., Ltd.