

# HP 743

High Purity - Stainless Steel Barstock Regulator



Model HP 743-125-000-E shown

## MATERIALS

<b>Body</b>	316L Stainless Steel Barstock
<b>Bonnet</b>	Chrome Plated Brass Barstock
<b>Diaphragm</b>	316L Stainless Steel
<b>Nozzle</b>	316L Stainless Steel
<b>Seat</b>	PTFE Teflon
<b>Seals</b>	PTFE Teflon
<b>Filter</b>	Sintered Stainless Steel - 10 Micron
<b>Seat Return Spring</b>	316L Stainless Steel
<b>Adjusting Knob</b>	ABS Plastic

Model HP 743 is a stainless steel pipeline regulator for pipeline and other applications up to 3000 PSIG inlet pressure. The Model HP 743 is suitable for:

- Corrosive gas applications
- High purity gas applications
- Research sample systems gases
- Process analyzer gases
- Gas chromatography
- EPA protocol gases
- Laser gas systems
- Emission monitoring systems

**Recommended for corrosive gases or purity levels of Grade 6.0 (99.9999) and higher.**

## FEATURES

- 1 11/16" 316L stainless steel diaphragm eliminates contamination from diffusion or outgassing
- One piece encapsulated seat design includes a sintered filter to protect the seat from particulate contamination
- Chrome plated bonnet, 316L body and fittings
- 2" stainless steel single scale gauge (psi/bar)
- Designed to 1 x 10<sup>-9</sup> cc/sec. inboard helium leak rate to maintain gas purity levels
- Maximum inlet 3000 PSIG
- Front or back panel mountable

## RELATED OPTIONS

Front Panel Mount Kit P/N: 9100871

Wall mounting Bracket P/N: 9101242



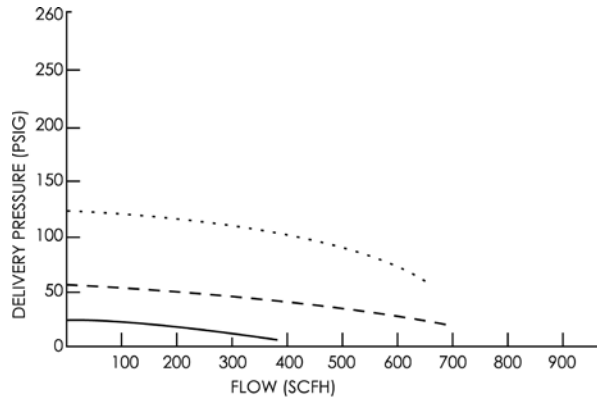
## HP 743 ORDERING INFORMATION

HP 743	-	XXX	-	XXX	-	XX	-	XXXX
MODEL NO.	DELIVERY PRESSURE		INLET	ACCESSORIES		OPTIONS		
	DELIVERY	(OUTLET GAUGE)						
HP 743	0-15 PSIG	(30" Hg Vac-30 psi/2 bar)	000 (1/4" FNPT)	A) 1/4" FNPT Diaph. Valve	2) He Leak Cert. (Inboard)			
	0-50 PSIG	(30" Hg Vac-100 psi/7 bar)	001 (1/4" MNPT)	B) 1/4" MNPT Nipple	3) No Gauge			
	0-125 PSIG	(30" Hg Vac-200 psi/14 bar)		C) 1/4" FNPT Port	4) With Relief Valve			
	0-250 PSIG	(400 psi/28 bar)		D) 1/4" Tube Fitting	5) He Leak Cert. (Outboard)			
	0-500 PSIG	(1000 psi/70 bar)		E) 1/8" Tube Fitting				

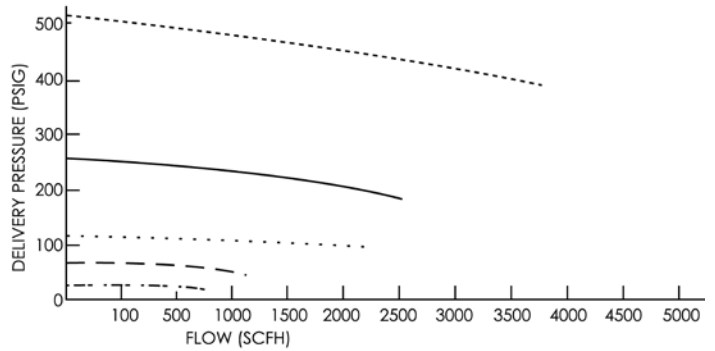
NOTE: Regulators with delivery pressure above 15 PSIG should not be used with acetylene.

# HP 743 TECHNICAL SPECIFICATIONS

## FLOW DATA



15 @ 2000 PSIG INLET ———  
 50 @ 2000 PSIG INLET - - - -  
 125 @ 2000 PSIG INLET ·····

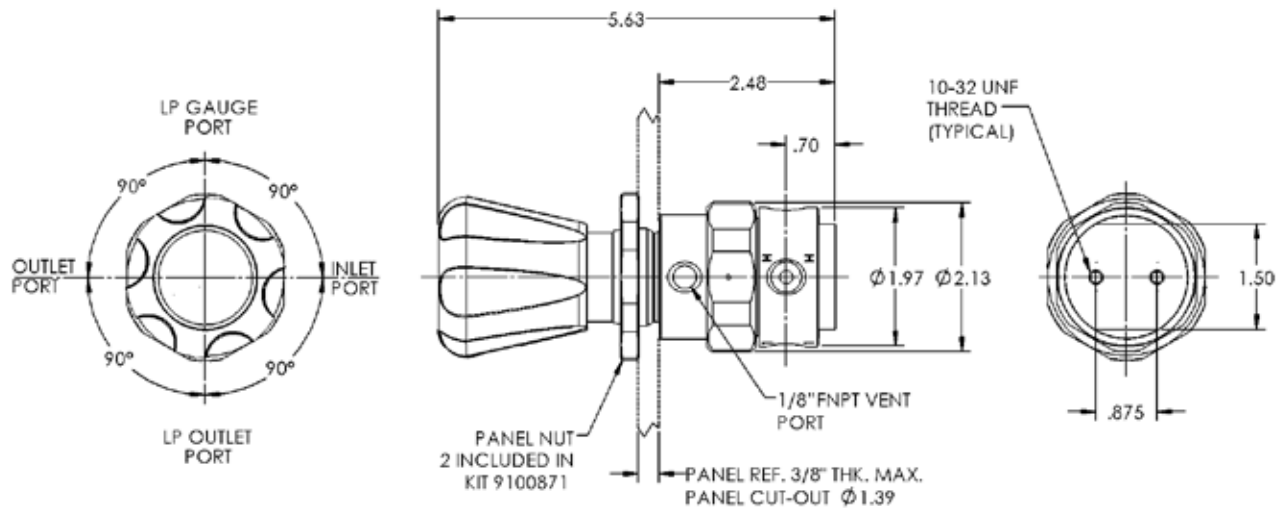


15 @ 2000 PSIG INLET - - - - -  
 50 @ 2000 PSIG INLET - - - -  
 125 @ 2000 PSIG INLET ·····  
 250 @ 2000 PSIG INLET ———  
 500 @ 2000 PSIG INLET ·····

## SPECIFICATIONS

- $C_v$ : .08
- Pressure Regulation: 1.8 PSIG/100 PSIG
- Weight: 2.68 lbs.

## DIMENSIONS



THE HARRIS PRODUCTS GROUP

Orders: 1.800.733.4043



บริษัท ไทย เอ็นจิเนียริ่ง แก๊ส จำกัด  
 Thai Engineering Gas Co., Ltd.